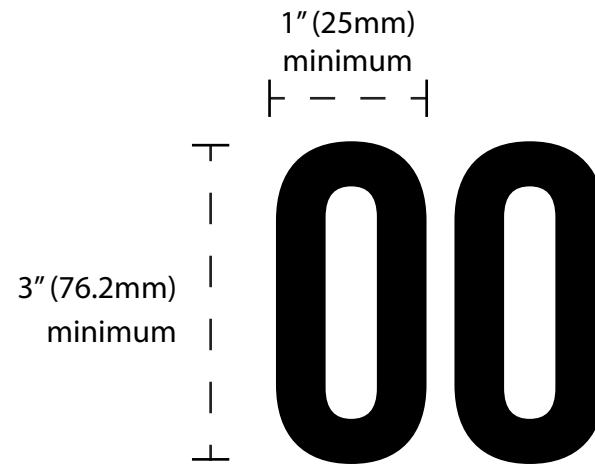
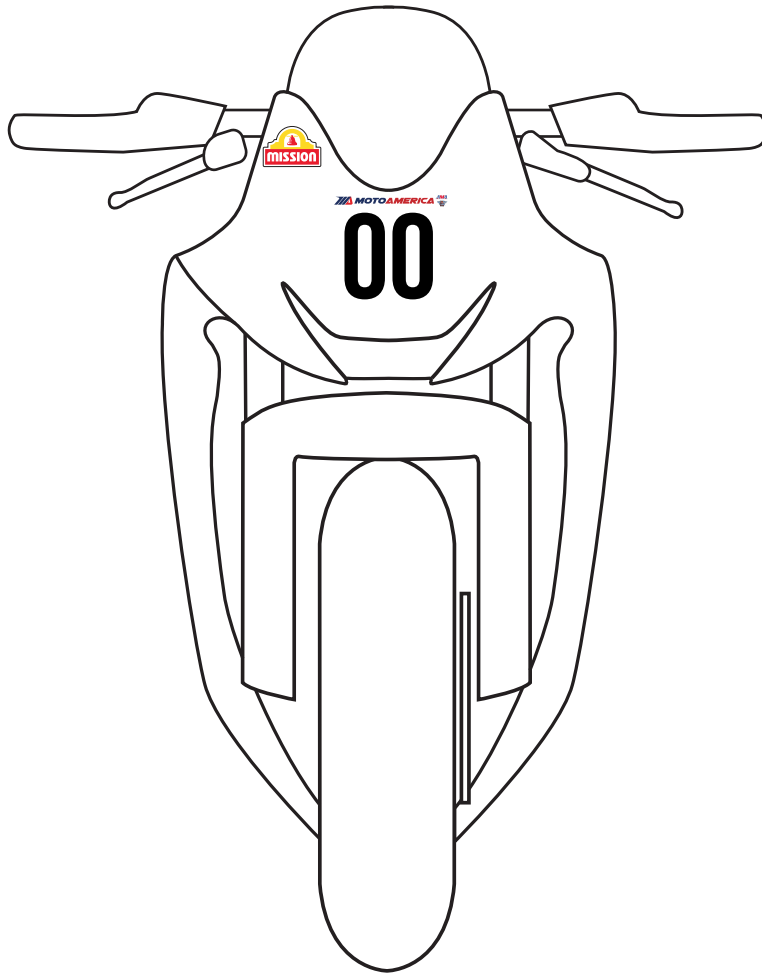




2023 SEASON
NUMBER AND MOTORCYCLE LOGO
GUIDELINE. COMPETITOR BULLETIN 03-2023

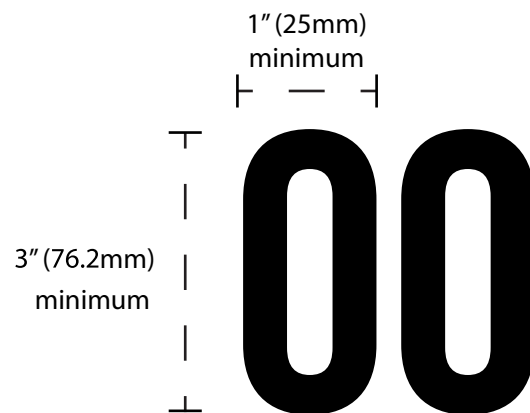
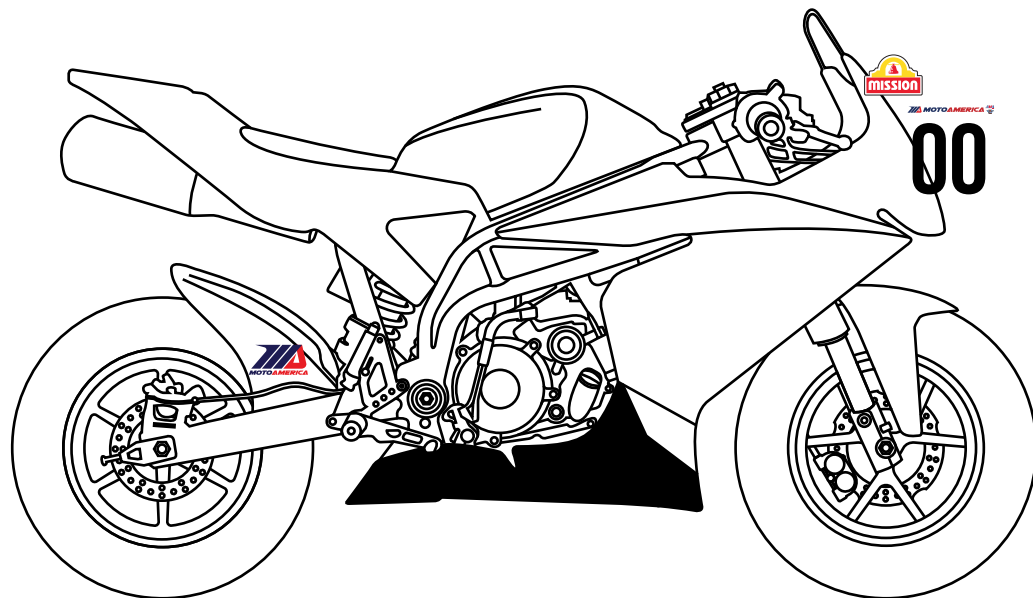
Friday Ohvale





* minimum stroke is 0.75" (20mm)
** minimum space between numbers is 0.40" (10mm)

NUMBER AND MOTORCYCLE LOGO GUIDELINE - MINI CUP



* minimum stroke is 0.75" (20mm)
** minimum space between numbers is 0.40" (10mm)

